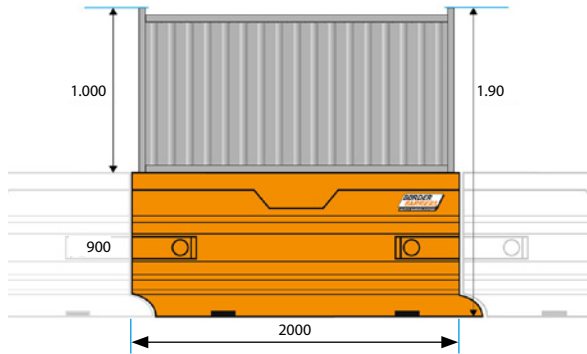


Rhino Fencing and Hoarding Options

Added site security designed for use with Rhino Crash Tested and Advanced Water-Fill Safety Barriers

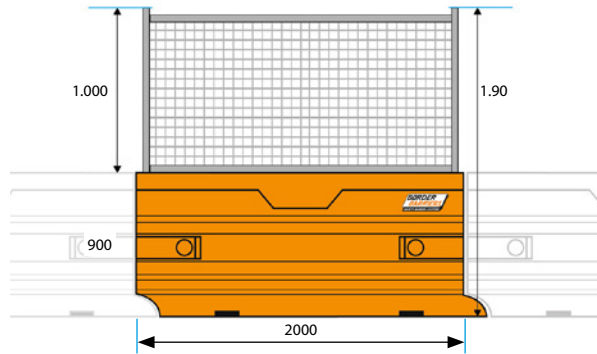
Rhino Standard Hoarding Panel

The panel is 1m high. When attached to the barrier it gives an overall height of 1.90m.



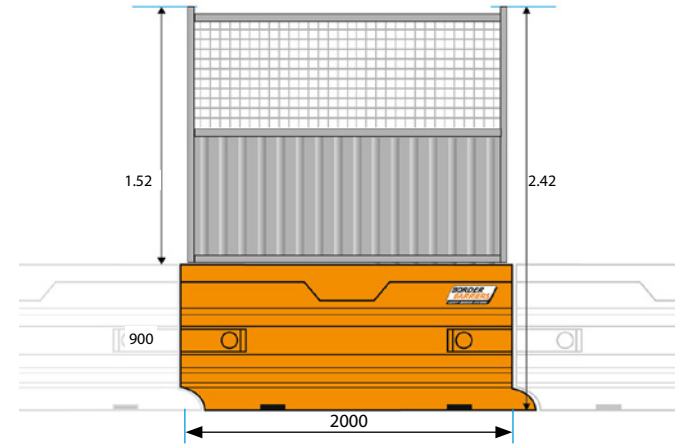
Rhino Standard Mesh Panel

The mesh panel is 1m high. When attached to the barrier it gives an overall height of 1.90m.



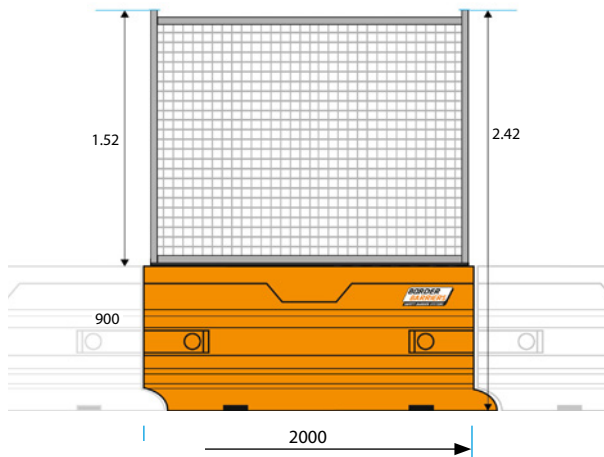
Rhino Extended Hoarding/Mesh Panel

The panel is 1.52m high. When attached to the barrier it gives an overall height of 2.42m.



Rhino Extended Mesh Panel

The panel is 1.52m high. When attached to the barrier it gives an overall height of 2.42m.



Rhino Conversion Kit

Compatible with all fencing and access gates, offering clear delineation around road and pedestrian access areas leading onto site.

The Female Section attaches to the Rhino Barrier where NO PIN is located. **The Male Section** is attached to the Rhino Barrier where the pin is normally located (the pin will need to be removed)

